

WE MAKE SUMMER

COMMERCIAL PARASOLS





FILIUS



ELEGANT

APPEARANCE

Easy handling by crank

Simple set-up and dismounting

Solid aluminium parasol

Non-telescoping pole

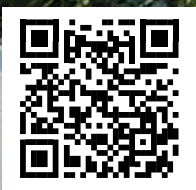


Wherever FILIUS is put to use – for outdoor catering, in pedestrian zones, for private, commercial or merely decorative purposes – it harmonizes well with its environment. Choose the perfectly matching colour

and this parasol will spread brilliance and charm while providing high-quality shading. Its outstanding functionality is based on lightness and the option between rope pull and crank drive.



FILIUS FK Ø 3.0 m
MayTex-Acryl DA 7244 lime green



You will find further reference photos at: [may.ag/F_Referenzen.pdf](https://www.may.ag/F_Referenzen.pdf)



FILIUS FK 3,0 × 3,0 m
MayTex-Acryl SA 314 325 ecru



Top plate

Elegant and graceful. Can be screwed off. Colour to match frame.



Multi vent
Brochure at: may.ag/FKP_en.pdf

Canopy options

This optional, decorative textile bonnet for the top of the parasol canopy gives a feeling of airy, Mediterranean stylishness.



Canopy bonnet

Valance options



Straight valance



Without valance

Canopy covering

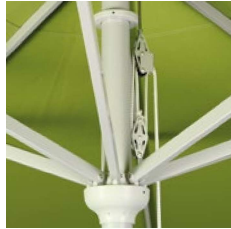
Due to a special self-tensioning telescopic spring system the colour remains perfectly taut, even after years of usage. The canopy covering can easily and quickly be exchanged by means of a practical hooking system.





Mounting

Pull parasol from cardboard sleeve, remove all packaging material, place parasol mast in installation base, that's all – ready for use in a jiffy!



Operating the parasol

FILIUS is available in two different versions, with rope pull (FS) or with crank drive (FK).

High-quality framework materials

Frame surface is powder-coated, highly shock and impact-proof, available in following colours:

Standard colours:

- RAL 9010 pure white
- RAL 9006 white aluminium

Special colours, no extra charge:

- RAL 8019 greybrown
- RAL 7016 anthracite grey fine structure

Special colours available on request.



The operating instructions

Proper handling of the product ensures a long life expectancy. Benefit from our 30 years of experience:

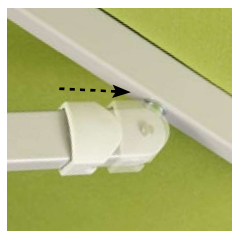
Operating instructions with

- installation options without placement hinge: may.ag/F_en.pdf
 - Pagode: may.ag/FKP_en.pdf
-



When not in use

The protective cover provided can easily be slipped over the parasol during bad weather periods.



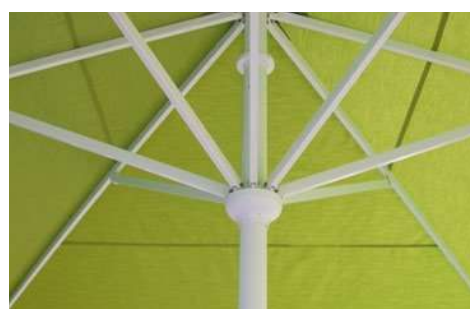
Frame joints

For us perfection in workmanship is an absolute must. Therefore, all moving axes are fitted with easily removable bolts. This extravagant technology ensures maximum stability and durability as well as easy execution of repairs.

Central rod system

The frame is made of high-quality, alloyed, extruded aluminium profiles.

- support pole $\varnothing 55 \times 2.5$ mm
- spoke dimensions $30 \times 15 \times 2$ mm / $25 \times 15 \times 2$ mm
- support strut dimensions $25 \times 15 \times 2$ mm



Reinforced spokes

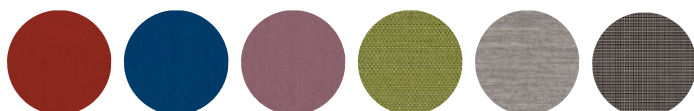
The elegant spokes are reinforced with an internal steel core in the areas subject to particularly high stress.

Fabrics and colours

Choose from over 70 contemporary textile designs, available in three different fabric types:

- MayTex-Poly, 230 g/m^2 , water column > 1.000 mm
- MayTex-Acryl, 300 g/m^2 , water column 370 mm
- MayTex-PVC, 480 g/m^2 , water column > 1.000 mm
- Other fabrics and colours available at any time on request
- Textiles with fire certification (A or B1) on request

See page 220 for further information.





FILIUS FK Ø 3.0 m
MayTex-Acryl SA 314 014 mandarin
without valance



straight valance



FILIUS FK 2.5 x 2.5 m
MayTex-Acryl SA 314 033 ivory
without valance



straight valance



continuous valance

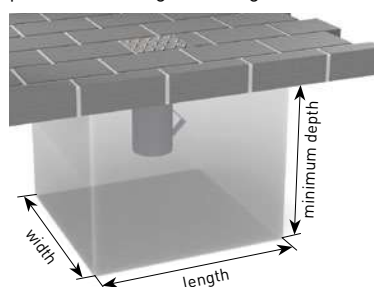


FILIUS		Ø 3.0 m	Ø 3.5 m	Ø 4.0 m
	Segments	8	8	8
	Area	m ² 6.4	8.7	11.3
A	Height closed with valance	cm 279	287	295
B	Height closed without valance	cm 259	267	295
C	Headroom with valance	cm 200	200	200
D	Headroom without valance	cm 202	202	222
E	Height of valance	cm 28	28	28
F	Ground clearance (with valance) from spoke edge	cm 113	97	79
G	Ground clearance (without valance) from spoke edge	cm 93	77	79
H	Crank height	cm 92	92	92
	Weight without packaging MayTex-Acryl without valance	kg 12	15.5	17.5
	Support pole diameter	mm	outer-Ø 55, pole thickness 2.5	
	Packaging cardboard sleeve: length 307 cm		Ø 25 cm, approx. 7.5 kg	
	Installation base length/width/min. depth	cm	50 / 50 / 60	
	Minimum-ballast Number of layers of concrete slabs XZ40 required		1 x = approx. 72 kg	

The heights specified are for parasols with MayTex-Acryl covering fabric that are mounted in an anchor tube (DMZ118, DMZ146, DMZ150). The increase in height for parasols with other installation bases can be seen in the list below:

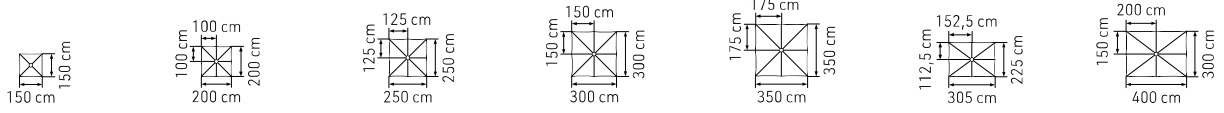
Cross pedestal:	DMZ110	+	5.5 cm
Full frame pedestal:	DMZ411	+	5.5 cm
Full frame pedestal:	DMZ412	+	8 / 11 cm
Full frame pedestal:	DMZ414	+	13 cm
Full frame pedestal:	DMZ420	+	15.5 cm
Granite base:	DMZ141	+	10 cm
Wheeled pedestal:	DMZ282	+	14 / 15 cm
Anchor plate:	DMZ261	+	1 cm
Base plate:	DMZ271	+	1 cm

3D view of installation base with top plate for winter protection. Base must be frost-proof and enlarged if the ground is unstable.

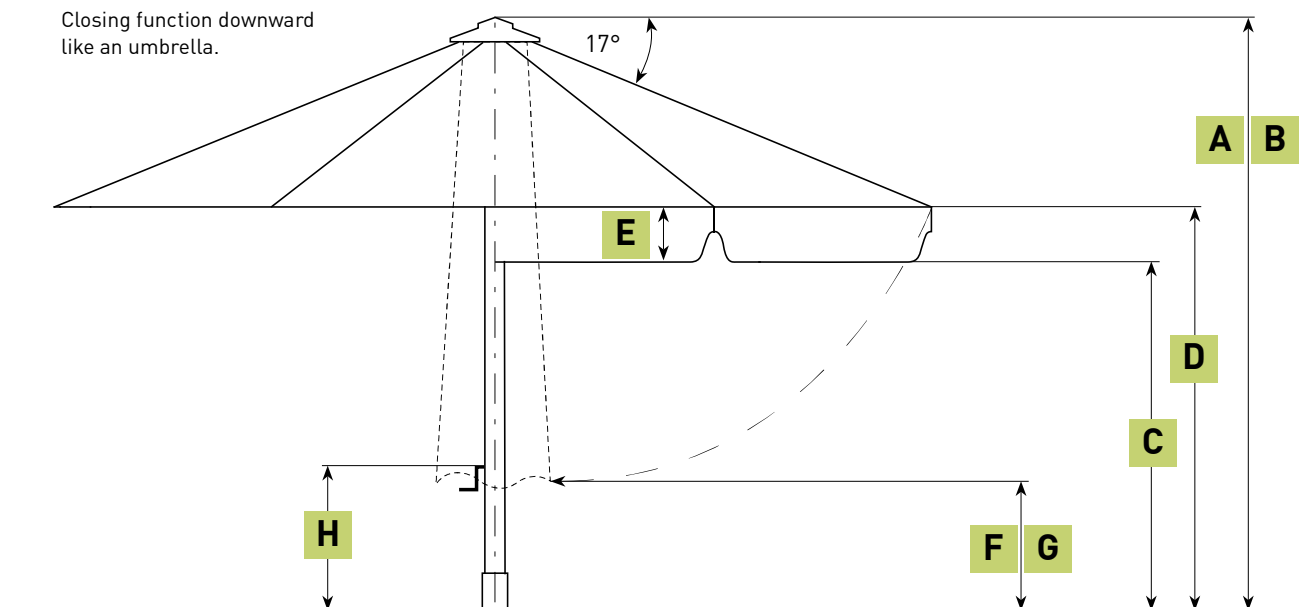


Intermediate and special sizes on request.
Dimensional tolerance approx. 5%.

FILIUS SIZES AND DATA



	1.5 × 1.5 m	2.0 × 2.0 m	2.5 × 2.5 m	3.0 × 3.0 m	3.5 × 3.5 m	2.25 × 3.05 m	3.0 × 4.0 m
	4	8	8	8	8	8	8
	2.3	4	6.3	9	12	7	12
A	259	274	280	289	295	279	290
B	259	254	260	269	275	259	270
C	200	200	200	200	200	208	208
D	220	202	202	202	202	210	210
E	18	23	28	28	28	28	28
F	148	120	94	63	32	80	30
G	148	100	74	43	12	60	10
H	92	92	92	92	92	92	92
	15	15	16	18	16	15	16.5
outer-Ø 55, pole thickness 2.5							
Ø 25 cm, approx. 7.5 kg							
50 / 50 / 60							
1 × = approx. 72 kg							





FILIUS FS 2.5 x 2.5 m
MayTex-Acryl SA 314 038 beige



Protective cover, version zipper and aluminium rod

With integrated aluminium rod and zipper for easy operation. Made of tarp material, colour grey. Please specify parasol size and valance option. Included in delivery of parasol.

art. no. **FA130**



Seawater-resistant stainless steel connections

To allow the use of the FILIUS directly at the coast nearby salty sea water, rustproof materials must be used. With this package all turned and standard parts are supplied in stainless steel V4A (1.4401, AISI 316). Optimal protection for minimal oxidation of the aluminium frame.

art. no. **206171**



Rain gutter

in MayTex-Poly or MayTex-PVC, with aluminium rods for stabilization. Can only be used with valance.

art. no. **XA141**



FILIUS FK 2.5 x 2.5 m
MayTex-Acryl SA 314 471 silver-grey/dark brown knopped

**Glass-fibre reinforced plastic holder
for side sheet and rain gutter**

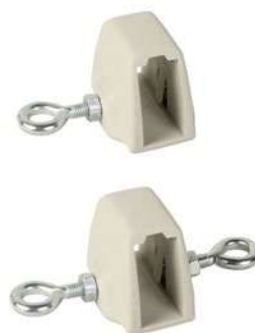
1 piece per spoke required

with 1 eyelet screw

with 2 eyelet screws

art. no. **FA141 01**

art. no. **FA141 02**



Length extension of centre pole

State required additional length in cm (max. 50 cm).

Shortening of centre pole

Length on request, dependent on parasol size.

Frame paint finish

Please state colour of powder-coating in RAL.

Canopy covering MayTex-PVC

approx. 480 g/m² ± 5%, only suitable for Ø 3 m, 1.5 x 1.5 m, 2 x 2 m, and 2.5 x 2.5 m.

Side sheets

Textile in MayTex-Poly, see page 216 onwards.

FILIUS – mobile installation options

Cross pedestal

mounted with screws, frame size 83 × 83 cm, total height 28 cm, galvanized, weight approx. 4.5 kg. For standard concrete slabs 40 × 40 × 5 cm.

Instructions: may.ag/DMZ110_en.pdf

art. no. **DMZ110**



Full frame pedestal

frame size 84 × 91 cm, total height 33 cm, height of frame **x** = 5 cm, galvanized, weight approx. 23 kg. For 1 set of standard concrete slabs 40 × 40 × 5 cm.

Instructions: may.ag/DMZ411_en.pdf

art. no. **DMZ411**



Full frame pedestal, adjustable for slanting surfaces

with 4 rubber diagonal support levelling screws, frame size 84 × 91 cm, total height min. 34 cm, max. 40 cm, galvanized, weight approx. 24 kg. For 1 set of standard concrete slabs 40 × 40 × 5 cm.

Instructions: may.ag/DMZ412_en.pdf

art. no. **DMZ412**



Full frame pedestal on wheels

with rubber heavy-duty rollers and fixing brakes, frame size 84 × 91 cm, total height 40 cm, diameter of rollers 5 cm, weight approx. 24 kg, galvanized. For 1 set of standard concrete slabs 40 × 40 × 5 cm. Attention: wind sensitive!

Instructions: may.ag/DMZ414_en.pdf

art. no. **DMZ414**



Heavy-duty wheels Ø 15 cm

wheel diameter 15 cm, for uneven surfaces. Rubber, with fixing brakes, loading capacity 110 kg/wheel. Suitable for DMZ414.

For orders with full frame pedestal

art. no. **351498**

For retrofitting

art. no. **351499**

FILIUS – mobile installation options

Full frame pedestal on feet

for forklift or lift truck transport, frame size 84 × 91 cm, foot height **y** = 10 cm, weight approx. 25 kg, galvanized. For 1 set of standard concrete slabs 40 × 40 × 5 cm. Instructions: may.ag/DMZ420_en.pdf

art. no. **DMZ420**



Frame pedestal cover plate

stainless steel 1.4310, fits on DMZ411, DMZ412, DMZ414 and DMZ420. For retrofitting.

art. no. **200905**



DMZ412 with 200905

Concrete slabs

1 set = 4 slabs, each 40 × 40 × 5 cm, weight per slab: approx. 18 kg, Total weight approx. 72 kg.

art. no. **XZ40**



Granite base

Ø approx. 70 cm, 2 pieces, round, grey, polished, 4 recessed grips, stainless steel surface, weight approx. 100 kg, height **x** = approx. 10 cm.

art. no. **DMZ141**



FILIUS – mobile installation options

Wheeled pedestal

incl. weights, rubber rollers, stainless steel (AISI 304, 1.4301) locking rod. Colour anthracite, 75 × 75 cm, weight approx. 100 kg.

anthracite

art. no. **DMZ282**



Wheeled pedestal

incl. weights, rubber rollers, stainless steel (AISI 304, 1.4301) locking rod. Colour graphite, 75 × 75 cm, weight approx. 100 kg.

graphite

art. no. **DMZ283**



Free-standing base plate

plate size 80 × 80 cm, steel plate thickness **x** = 12 mm, galvanized, weight approx. 60 kg, high stability up to Beaufort 5.
Instructions: may.ag/DMZ271_en.pdf

art. no. **DMZ271**



Add-on weight plate

fits for DMZ271 and DMZ139, for retrofitting. Plate size 78 × 78 cm, steel plate thickness **x** = 12 mm, galvanized, weight approx. 56 kg.
Instructions: may.ag/DMZ271_en.pdf

art. no. **351185**



DMZ271 with 351185

FILIUS – mobile installation options

Anti-slip mat

1 piece, 80 × 80 cm, suitable for the steel plates of the installation options of DMZ271 and DMZ139. Increases the coefficient of friction between steel plate and floor covering (wood, concrete slabs, asphalt) and therefore decreases slipping caused by wind. Colour black, **x** = 3 mm.

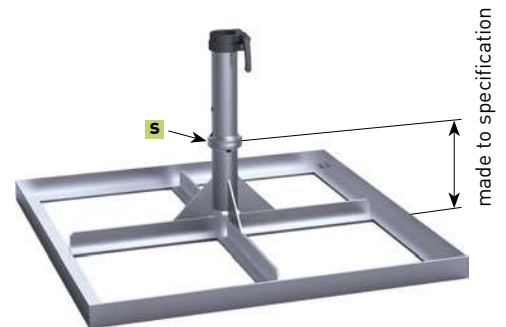
art. no. **352791**



Full frame pedestal

customized height to fit patio surface, frame size 83 × 83 cm, screw-off upper part, galvanized, weight approx. 23 kg, incl. top plate for winter protection, **s** = Ø 8 cm. For 1 set of standard concrete slabs 40 × 40 × 5 cm. Instructions: may.ag/DMZ208_en.pdf

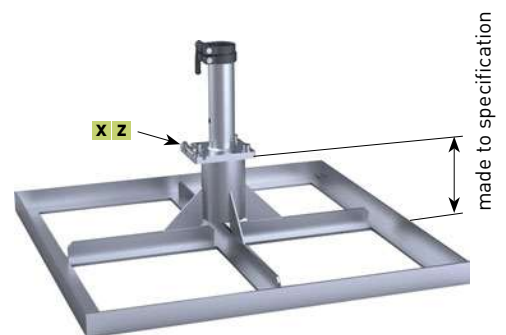
art. no. **DMZ208**



Full frame pedestal with placement hinge

customized height to fit patio surface, frame size 83 × 83 cm, screw-off upper part, galvanized, weight approx. 24 kg, incl. top plate for winter protection, **x** = 12 cm, **z** = 14.5 cm. For 1 set of standard concrete slabs 40 × 40 × 5 cm. Instructions: may.ag/DMZ210_en.pdf

art. no. **DMZ210**



FILIUS – stationary installation options

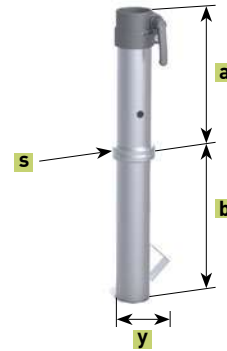
Anchor tube to be embedded in concrete

2 pieces, screw-off upper part, galvanized, weight approx. 4.7 kg, incl. top plate for winter protection.

a = 26 cm, **b** = 29 cm, **s** = Ø 8 cm, **y** = 10,5 cm.

Instructions: may.ag/DMZ118_en.pdf

art. no. **DMZ118**

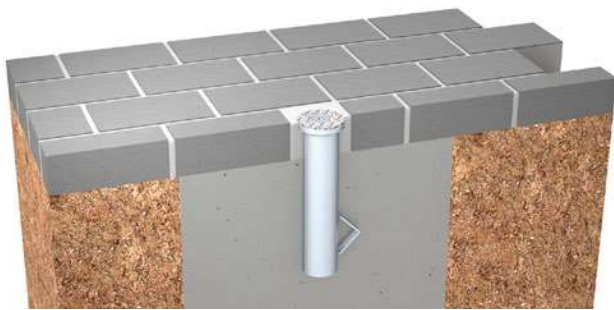


Anchor tube to be embedded in concrete

identical with DMZ118, tube and upper part stainless steel V4A (1.4571), surface glass bead blasted.

Instructions: may.ag/352779_en.pdf

art. no. **352779**



DMZ118 options:

Drainage unit

easy on-site installation, plastic material.

art. no. **357481**



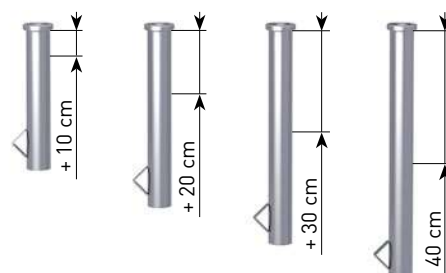
galvanized

DMZ118 upper anchor tube, extra length



Instructions: may.ag/extralength.pdf

DMZ118 lower anchor tube, extra length



DMZ118 options: galvanized with additional powder-coating

Standard length



RAL 9010 RAL 9006 RAL 8019 RAL 7016

Instructions: may.ag/extralength.pdf

Extra length + 10 cm



RAL 9010 RAL 9006 RAL 8019 RAL 7016

Extra length + 20 cm



RAL 9010 RAL 9006 RAL 8019 RAL 7016

Extra length + 30 cm



RAL 9010 RAL 9006 RAL 8019 RAL 7016

Extra length + 40 cm



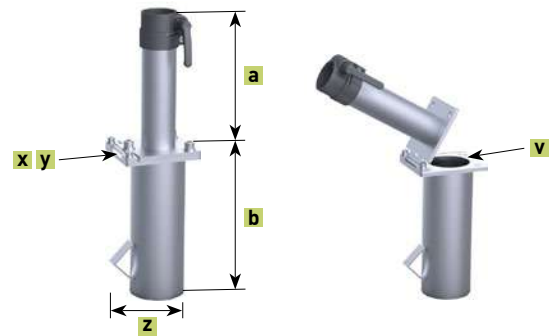
RAL 9010 RAL 9006 RAL 8019 RAL 7016

FILIUS – stationary installation options

Anchor tube to be embedded in concrete with placement hinge

2 pieces, screw-off upper part, galvanized, weight approx. 5 kg, incl. top plate for winter protection, bore for power cable through centre post. \varnothing 5 cm, **a** = 26 cm, **b** = 28 cm, **x** = 12 cm, **y** = 14.5 cm, **z** = 14 cm.

art. no. **DMZ150**



DMZ150 option:

Drainage unit

easy on-site installation, plastic material.

art. no. **357491**



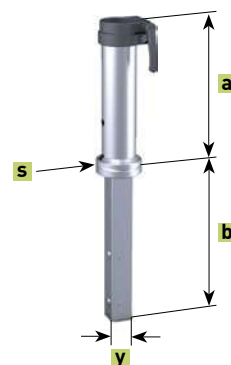
Anchor tube to be embedded in concrete

for an existing foundation with a bore hole of min. \varnothing 71 mm; 2 pieces, screw-off upper part. The bore hole is filled with grouting or epoxy resin in order to fix the lower part of the anchor tube.

The existing foundation must be adequate in size for the designated parasol. Anchor tube: galvanized, weight approx. 3 kg; square lower tube; top plate for winter protection. **a** = 26 cm, **b** = 28.5 cm, **s** = \varnothing 8 cm, **y** = \square 5 cm.

Instructions: may.ag/DMZ146_en.pdf

art. no. **DMZ146**



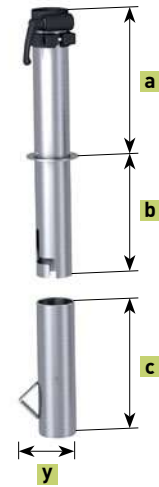
FILIUS – stationary installation options

Anchor tube with removable upper part (plug-in connection), to be embedded in concrete

suitable for daily assembly and disassembly (no tools required), two-piece anchor tube with bayonet connector, secured within the ground tube by centring pin, hot-dip galvanized, top plate for winter protection included, anchor tube weight: approx. 2.2 kg, upper anchor tube weight: approx. 2.6 kg, **a** = 27 cm, **b** = 22 cm, **c** = 28 cm, **y** = 12 cm.

Instructions: may.ag/DMZ169_en.pdf

art. no. **DMZ169**



Dowel-anchored plate

galvanized, weight approx. 5 kg, **a** = 27.5 cm, **x** = Ø 21.5 cm, **t** = 1.2 cm, **z** = Ø 1.8 cm. Instructions: may.ag/DMZ261_en.pdf

art. no. **DMZ261**

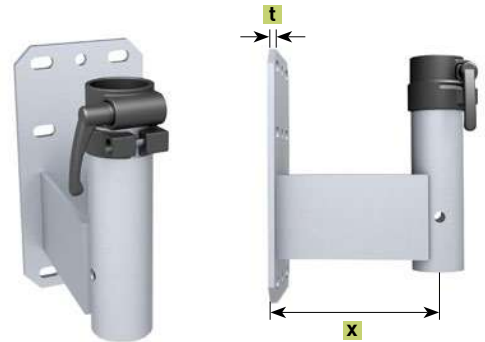


FILIUS – stationary installation options

Wall bracket

galvanized, weight approx. 5.5 kg, wall plate 30 × 16 cm, **x** = 20 cm, **t** = 0.8 cm. Bottom of support pole rests on bottom end of anchor tube. This option only makes sense in case of low balustrades and ledges, otherwise the parasol will hit the wall. Instructions: may.ag/DMZ125_en.pdf

art. no. **DMZ125**



Wall pressure plate

fits for DMZ125 and DMZ170, galvanized; 30 × 16 cm; to be clamped onto the existing bars (only possible if these are very strong), bore holes for M16 stud bolts (not included in the delivery).

art. no. **200084**

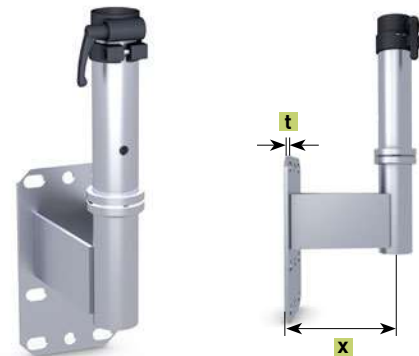


DMZ125 in combination with 200084

Wall bracket

galvanized, weight approx. 6.5 kg, wall plate 30 × 16 cm, **x** = 20 cm, **t** = 0.8 cm. Instructions: may.ag/DMZ170_en.pdf

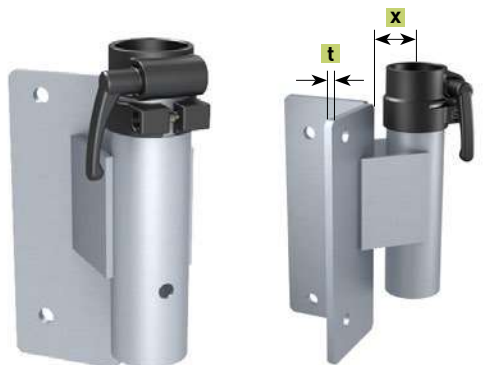
art. no. **DMZ170**



Corner wall bracket

galvanized, weight approx. 5.5 kg, **x** = 5.5 cm, **t** = 0.8 cm.

art. no. **DMZ172**

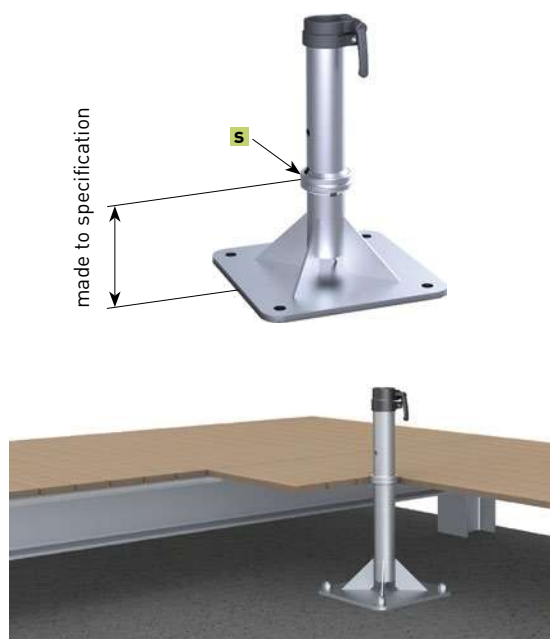


FILIUS – stationary installation options

Dowel-anchored plate

customized height to fit patio surface, anchor plate 30 × 30 cm, screw-off upper part, galvanized, weight approx. 10 kg, incl. top plate for winter protection, **s** = Ø 8 cm.
Instructions: may.ag/DMZ129_en.pdf

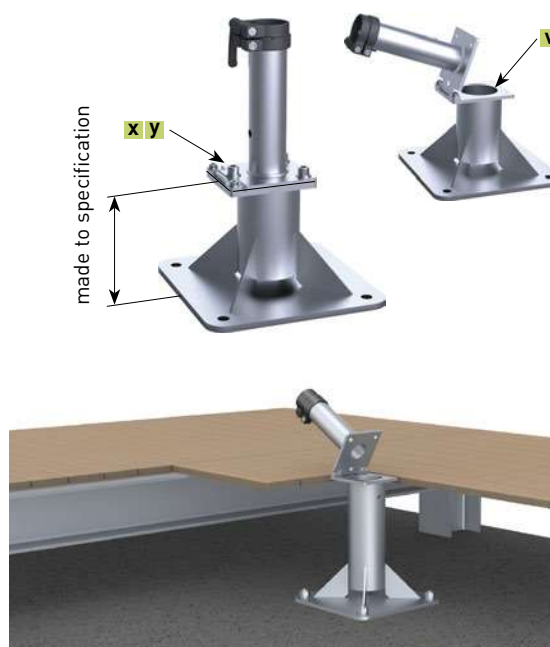
art. no. **DMZ129**



Dowel-anchored plate with placement hinge

customized height to fit patio surface, anchor plate 30 × 30 cm, galvanized, weight approx. 13 kg, incl. top plate for winter protection, **v** = bore for power cable through centre post Ø 5 cm, **x** = 12 cm, **y** = 14.5 cm.
Instructions: may.ag/DMZ127_en.pdf

art. no. **DMZ127**



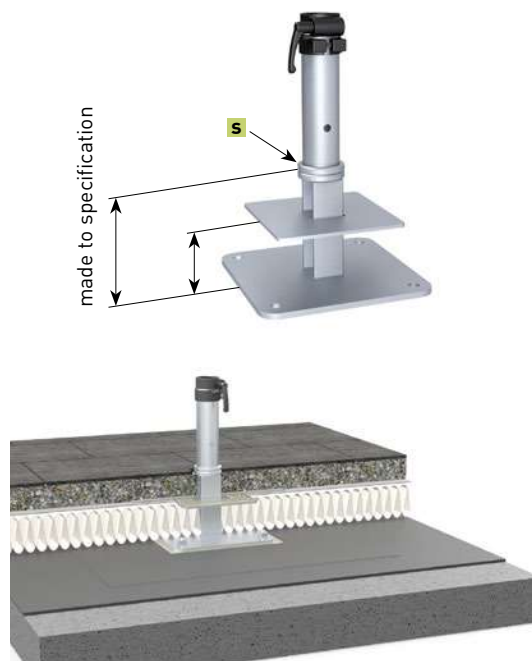
FILIUS – stationary installation options

Flat-roof dowel-anchored plate

externally insulated roof system, system-conform flat roof connection with liquid plastic, customized height to fit flat roof surface, dowel plate 30 × 30 cm, screw-off upper part, galvanized, weight approx. 13 kg, incl. top plate for winter protection, **s** = Ø 8 cm.

Instructions: may.ag/DMZ186_en.pdf

art. no. **DMZ186**

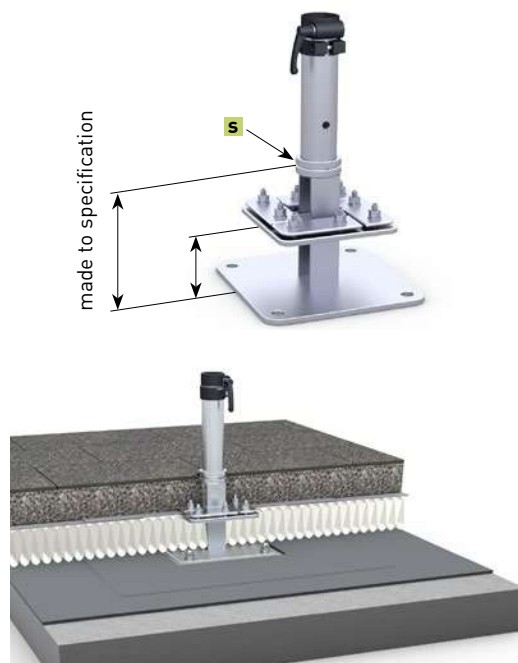


Flat-roof dowel-anchored plate

externally insulated roof system, loose-and-fixed flange assembly, bitumen waterproofing system and synthetic waterproofing material. Total height is determined by order to achieve the same level as the flat roof ground, dowelled plate 30 × 30 cm. Upper part removable, galvanized, weight approx. 18 kg, including top plate for winter protection, **s** = Ø 8 cm.

Instructions: may.ag/DMZ194_en.pdf

art. no. **DMZ194**



Anchor bolt

bolt and nut, fits for DMZ261, DMZ125, DMZ170, DMZ172, DMZ127, DMZ129, DMZ186 and DMZ194; approved for cracked and non-cracked concrete B25 to B55 (old compressive strength classes) C20/25 to C50/60 (new EU classification), also suitable for concrete B15 = C12/15 and natural stone with dense structure. Concrete bore hole Ø 16 × 115 mm. in stainless steel A4 1.4529. Package contains 4 bolts. European Technical Approval ETA-05/0069.

art. no. **200900**



FILIUS – stationary installation options

Ground screw anchor fixture

Upper anchor tube, suitable for ground screw KSF FMP 140x2100-M, Screw-in ground anchor not included in delivery, standard parts for screwing included. Hot-dip galvanized, weight approx. 6 kg, **a** = 26 cm, **x** = 22 cm, **t** = 1.5 cm, see page 238 for further information. Instructions: may.ag/DMZ329_en.pdf

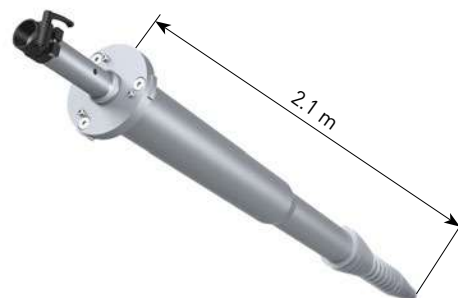
art. no. **DMZ329**



Screw-in ground anchor with upper anchor tube

incl. standard parts, parts unscrewed on delivery, steel, galvanized acc. DIN EN ISO 1461, weight approx. 30 kg, delivered in two ready-to-assemble parts. See page 238 for further information. Instructions: may.ag/DMZ330_en.pdf

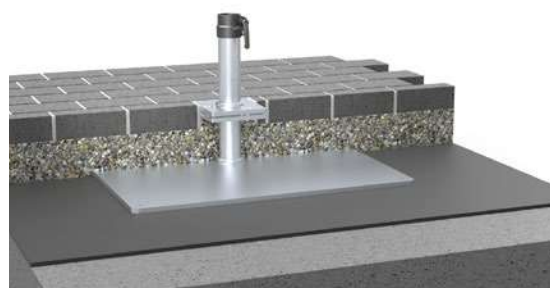
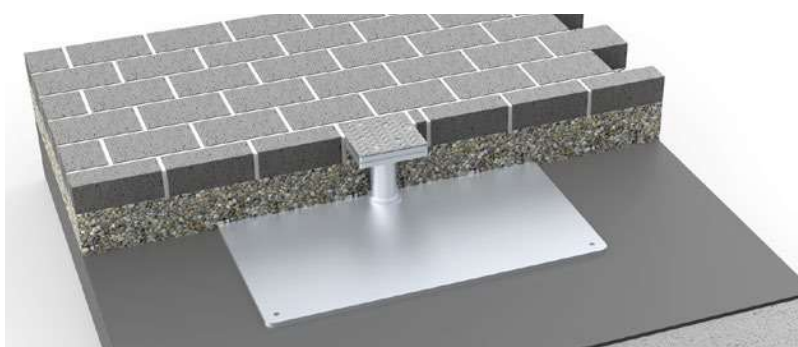
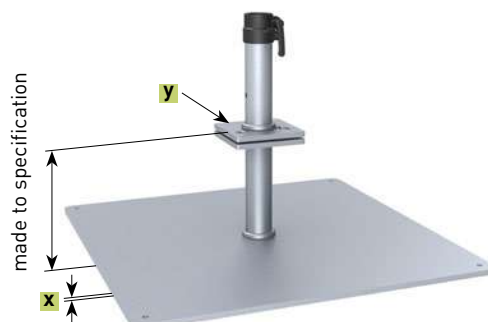
art. no. **DMZ330**



Base plate

customized height to fit patio surface, to be screwed together on site, heaviest component approx. 60 kg, base plate size 80 x 80 cm, plate thickness **x** = 12 mm, screw-off upper part, galvanized, weight approx. 68 kg, incl. top plate for winter protection, **y** = □ 16.5 cm. Instructions: may.ag/DMZ139_en.pdf

art. no. **DMZ139**



Theft pin

padlock and pin, in stainless steel (AISI 304, 1.4301), for support pole Ø 55 mm. Suitable for retrofitting.

art. no. **200194**

